



Cubeware Connectivity for SAP® Solutions

Clever BI connector
for SAP

- SAP certification
- Adapter for SAP Business Suite and SAP Business All-in-One
- Powerful results without programming
- OLE DB interface
- Complete BI solution with Cubeware Importer and Cubeware Cockpit V6pro



A perfect fit



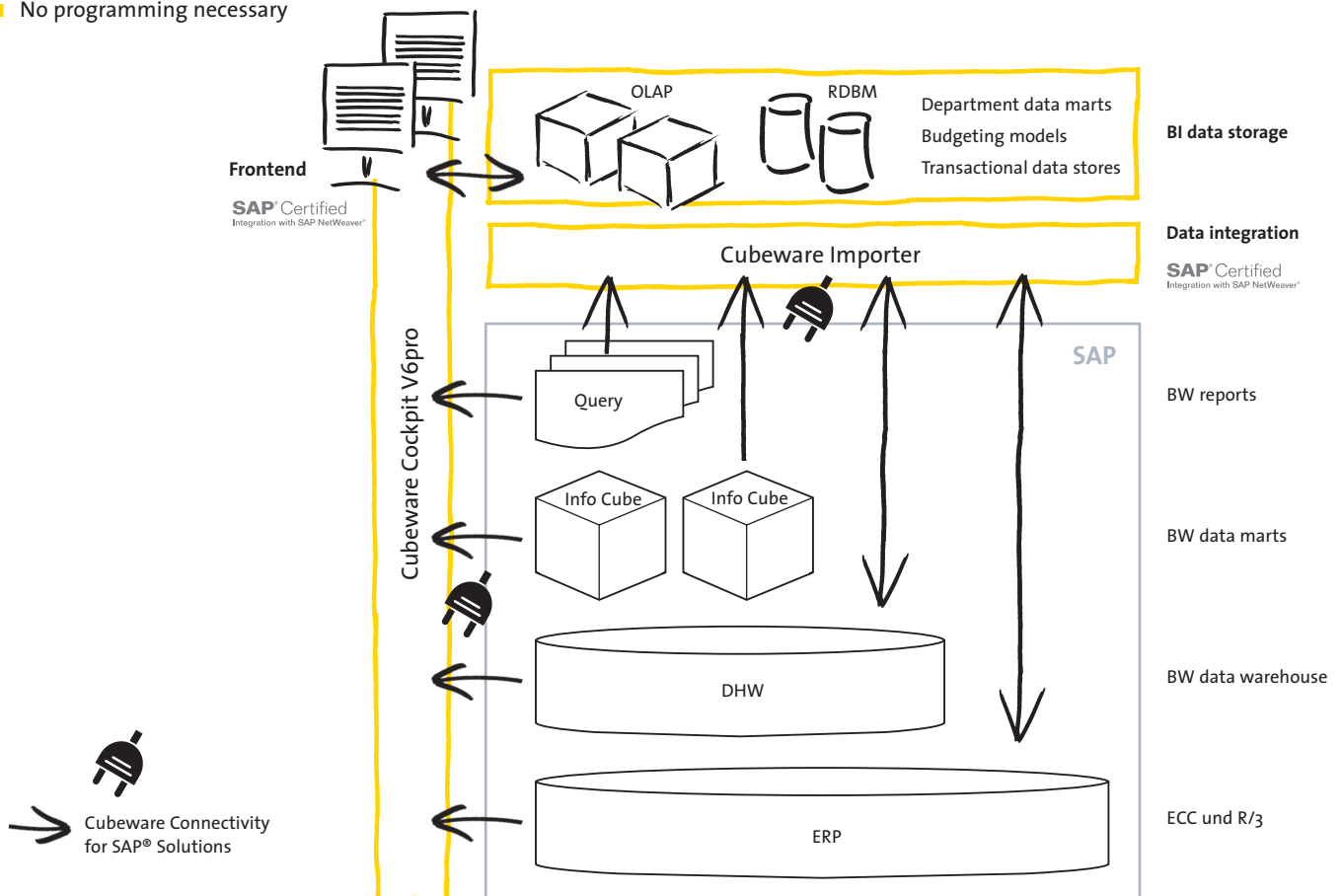
Flexible, dynamic access to SAP data

Cubeware Connectivity for SAP® Solutions allows you to leverage your SAP data for powerful analysis, planning, reporting and dashboards.

- SAP certification
- Access to SAP Business Suite and SAP Business All-in-One
- No programming necessary

With Cubeware Connectivity for SAP® Solutions you can easily integrate SAP data in your Business Intelligence or data warehouse solution – without needing ABAP programming skills, making time-consuming manual adjustments or compromising SAP security. Its high-performance access module directly exports data from SAP Data Dictionary tables and SAP Business Application Programming Interfaces (BAPIs). By creating generic ABAP reports and using the intelligence of BAPIs, Cubeware Connectivity for SAP® Solutions combines the flexibility and the advantages of open SQL queries.

With Cubeware Connectivity for SAP® Solutions, business users gain fast, easy access to insightful data stored in your SAP systems – from SAP Business Suite modules such as SAP ERP, SAP BI, SAP CRM or SAP SRM to industry solutions including SAP Retail, SAP for Media or SAP for Public Transportation or the SAP Business All-in-One solutions for mid-sized companies.



Easy access through open SQL interfaces

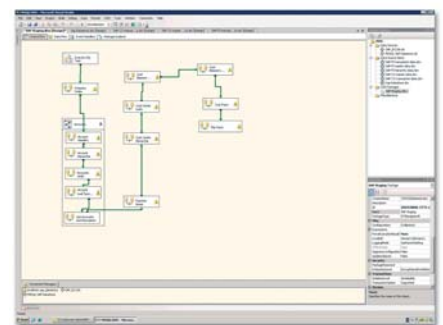
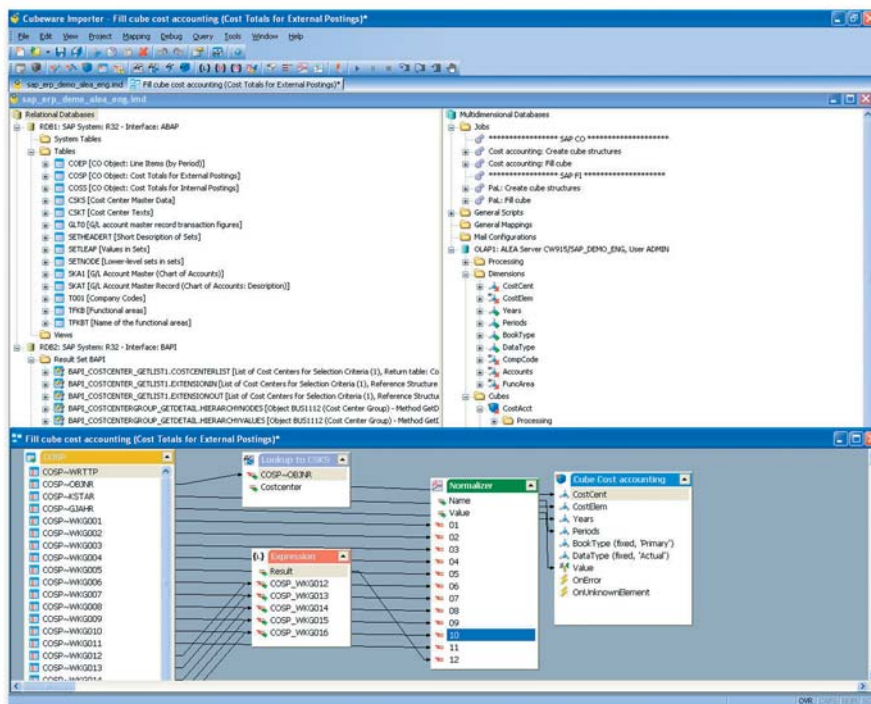
Cubeware Connectivity for SAP® Solutions offers a full-fledged SQL interface to data and metadata in the SAP Repository (DDIC). The SQL interface supports the full read functionality of ABAP Open SQL that is available to an ABAP developer. Cubeware Connectivity uses ABAP to access SAP DDIC tables and views, while generic ABAP reports serve as a container for open SQL queries. These SQL queries are subject to SAP security mechanisms with regards to authentication, logging as well as the Change and Transport System (CTS).

Fast and direct through BAPI integration

By combining Cubeware Importer and Cubeware Connectivity for SAP® Solutions, you can integrate any number of BAPIs and RFC-compatible components available in SAP systems into the ETL process. This applies for both standard and custom-made BAPIs. This BAPI Integration enables read and write access to pre-defined business content (SAP Business Objects). Since SAP's Business API is completely integrated in Cubeware Importer, you can easily integrate business logic and rules into data transfer scenarios.

Integration of OLE DB applications

You can use Cubeware Connectivity for SAP® Solutions as a data source for ETL processes or operational reporting in Microsoft SQL Server, Microsoft Office or any other OLE DB-compatible application. The standard OLE DB interface in Cubeware OLE DB Provider for SAP® Solutions makes it possible.



Use SAP ERP as a data source in Microsoft SQL Server Integration Services.

This template allows you to create an OLAP model based on SAP CO data.

Build a complete Business Intelligence Solution

By combining Cubeware Connectivity for SAP® Solutions with Cubeware Importer and Cubeware Cockpit, you can quickly deploy a flexible, easy-to-use Business Intelligence solution that leverages the data in your SAP systems.



This dashboard integrates KPIs from different parts of the organization.

Cubeware Importer

Create a solid base of multidimensional data

Combine Cubeware Importer with Cubeware Connectivity for SAP® Solutions to automatically transfer SAP data into a multidimensional database such as Microsoft Analysis Services, Infor Alea / PM OLAP, Cognos TM1, PowerOLAP or Palo. The powerful ETL tool prepares and loads the operational data from SAP as well as from other systems into cubes, dimensions and elements in the OLAP database for flexible analysis, planning and reporting.

Cubeware Cockpit V6pro

Utilize relational SAP data for analysis, planning and reporting

Cubeware Connectivity for SAP® Solutions connects your complete SAP system as a relational data source in the Cubeware Cockpit V6pro front end. As a result, you can drill-through to detailed, operational SAP data directly from reports or analyses.

The flexible BI front end for SAP BI

Extend the functionality of SAP BI standard reporting through powerful ad hoc analysis and customized management reports and dashboards that leverage multiple data sources. OLAP BAPIs, the native analysis interface for SAP BI, ensure a reliable connection to the underlying system. You can create your base of SAP data using InfoCubes, Multi Providers, DataStore Objects and other SAP BI InfoProviders or existing queries with complex rules and variables.

Get results fast

Cubeware offers pre-defined templates and business content for the SAP ERP modules for Financials, Controlling, Sales/Distribution and Material Management. These templates extract hierarchies and master data such as accounts, cost centers and cost types from SAP systems into the appropriate multidimensional structures. This enables you to import financial transaction data (e.g. actual costs) or movement data into the multidimensional cubes for planning and analysis. The templates enable a fast start (and end!) to your project by providing a standard method for transferring data from SAP systems and transforming it to meet business requirements, while taking SAP customizations into account.

Facts and functions

Features	Benefits
Connector for Cubeware Importer (ETL and modeling)	<ul style="list-style-type: none"> Integrate SAP data and metadata into the Cubeware BI suite ITransfer, cleanse and supplement SAP structure and master data ILoad processed SAP data to multidimensional and relational databases ICombine data from heterogeneous systems
Connector for Cubeware Cockpit V6pro (BI front end)	<ul style="list-style-type: none"> Integrate operational SAP data (from SAP ERP or SAP BI data stores) Drill-through multi-dimensional reports to detailed SAP data (e.g. document data in SAP Financials)
Connection to SAP application layer	<ul style="list-style-type: none"> Can be used for all products in the mySAP Business Suite (SAP R/3, mySAP ERP, SAP BW, SAP NetWeaver BI, SAP All-in-One) Platform-independent, flexible access to SAP data
Authentication on the SAP system	<ul style="list-style-type: none"> Full support of the SAP authorization concept Maximum data security Full support of the SAP authentication mechanisms
Data extraction: SQL interface and BAPI integration	<ul style="list-style-type: none"> Exploit the benefits of both access options Maximize flexibility in obtaining data
Fully automated access to the SAP Data Dictionary (DDIC)	<ul style="list-style-type: none"> Verified imports of data and metadata from the SAP repository Exact analyses based on clean, real-time SAP data Less dependence on IT
Extraction of SAP data without ABAP programming skills	<ul style="list-style-type: none"> Suitable for business users Rapid, simple extension of ETL process Time and cost savings
Available as an OLE DB provider	<ul style="list-style-type: none"> Standardized interface technology for all OLE DB-capable applications (e.g. Microsoft SQL Server, Microsoft Visual Studio, Microsoft Office) High level of integration Report SAP data in Microsoft Reporting Services, Microsoft Access and Microsoft Excel
Business Content for SAP R/3, mySAP ERP and SAP BW	<ul style="list-style-type: none"> Cubeware Importer templates available for SAP Financials, Controlling and Sales and SAP BW Faster results Simplify SAP Define methodologies for importing SAP data
Compatible with SAP as of base release 4.5B and all SAP systems	<ul style="list-style-type: none"> Release security Secure investment

SQL-Interface

Features	Benefits
Access to the SAP repository using generic ABAP reports	<ul style="list-style-type: none"> Full functionality of ABAP Open SQL in the SELECT statement Portability of ETL processes to other SAP systems time-consuming adjustments Access to all DDIC table types based on access rights
Automated execution of SQL queries as SAP batch jobs	<ul style="list-style-type: none"> Bulk data capability for large data loads Load reductions in operational systems
Comprehensive logging and security mechanisms	<ul style="list-style-type: none"> Evaluation of ABAP coding using simulation mode Query logging in the SAP system log Optional support for the SAP CTS (Change and Transport System) Audit trail functions

BAPI-Integration into the Cubeware Importer

Features	Benefits
Business Application Programming Interfaces (BAPI) usage	<ul style="list-style-type: none"> Profit from pre-defined business content Use detailed, documented, standardized SAP interfaces
Parameterized calling of BAPIs and RFC function modules	<ul style="list-style-type: none"> Use BAPIs to extend Cubeware Importer's ETL functionality Profit from the knowledge gained in customer projects
Read and write access via BAPIs	<ul style="list-style-type: none"> Use SAP business objects with read and write access Transfer data to SAP systems

Technical data

Operating systems

- Microsoft Windows® 2000/XP Professional
- Microsoft Windows® Server 2003
- Microsoft Windows Vista

SAP systems

- All Unicode and non-Unicode SAP systems based on SAP NetWeaver Version 6.10 or higher with an ABAP runtime environment.
- SAP R/3 4.5B to 4.7 (Enterprise), mySAP ERP 2004 or higher
- SAP Business Information Warehouse 2.0b or higher, SAP NetWeaver BI

- Fully automated SQL interface to the SAP repository (data dictionary) = flexibility collecting data

- No ABAP skills required = retrieving data from SAP is so simple that even business users can do it

- Integration of SAP's Business API (BAPI) with parameter support = Integration of SAP business objects using a standard business interface

- Available as OLE DB provider = high level of integration due to the standard interface for all applications that support OLE DB